

AA **Alternative Air**
STORE FIXTURES

Tel: (609) 261-5870

Fax: (609) 261-5531

NEW FUSED GLASS DISPLAY

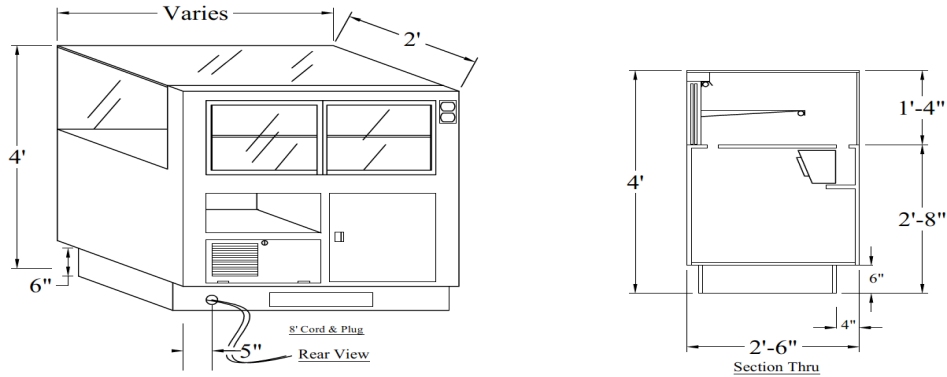


Frameless Clear Glass
Straight Front Candy Merchandiser

WWW.AAFIXTURES.COM

AA Alternative Air

STORE FIXTURES



TEMPERATURE AND HUMIDITY CONTROLLED CONFECTIONARY MERCHANDISERS

MODEL #	L x D x H	COMPRESSOR	AMPS / 115V	LBS
AACCC-36-R-FG1	36" x 24" x 48"	1/5 hp	7.1	400
AACCC-48-R-FG1	48" x 24" x 48"	1/5 hp	7.1	475
AACCC-60-R-FG1	60" x 24" x 48"	1/5 hp	7.1	550
AACCC-72-R-FG1	72" x 24" x 48"	1/5 hp	7.1	650

DRY CANDY MERCHANDISERS

MODEL #	L x D x H	COMPRESSOR	AMPS / 115V	LBS
AACCC-36-D-FG1	36" x 24" x 48"	N/A	1.6	325
AACCC-48-D-FG1	48" x 24" x 48"	N/A	1.9	400
AACCC-60-D-FG1	60" x 24" x 48"	N/A	4.7	500
AACCC-72-D-FG1	72" x 24" x 48"	N/A	5.3	600

A.A. Store Fixtures

ETL LISTED

COMMERCIAL REFRIGERATORS

& FREEZERS

9902041

CONFORMS TO ANSI/UL STD 471 & NSF-7 APPROVED

Note: Temperature & humidity controled confectionary displays are designed to maintain temperatures between 60°F and 65°F.